

Flexofold Limited Warranty:

1. Liability for defects:

1.1. Upon delivery the buyer shall immediately perform proper checks of the goods supplied before such goods are put to use and shall not later claim defects which the Buyer should have discovered during such a check.

1.2. The Seller shall not be liable for operating loss, loss of profit or other financial loss incurred by the Buyer or third party as a result of defects in the goods supplied.

1.3. The Seller shall, pursuant to the provisions of the Clauses below, by repair or replacement, remedy any defects in the goods resulting from faulty design, materials or workmanship.

1.4 The Seller's liability is limited to defects which appear within a period of 3 years from the date of delivery of the goods. If the goods are used more intensively than agreed or could be foreseen at the point of sale, this period shall be reduced proportionally.

1.5 The Buyer shall notify the Seller in writing of a defect without delay after the defect has become apparent, and in no case later than two weeks after the expiry of the period defined in Clause 1.4. The notice shall contain a description of how the defect manifests itself.

Notice of a defect shall be given immediately if there is reason to believe that the defect may cause damage.

If the Buyer fail to notify the Seller of a defect in writing within the time limit set, he shall forfeit his right to make any claim in respect to the defect.

1.6 On receipt of the written notice according to Clause 1.5, the Seller shall remedy the defect without undue delay and at his own cost. Remedy of the defect shall take place at the Buyer's premises unless the Seller finds it appropriate to have the defective part or the goods returned to him for repair or replacement at his own premises.

The Buyer shall assume the cost of transportation of goods to the Sellers premises. All other costs in connection with repair or replacement shall be at the Seller's risk and expense.

1.7 If the defects may be considered substantial, the Buyer may instead choose to terminate the purchase by written notice to the Seller.

1.8 The Seller is only liable for defects which appear under the conditions of operation provided for and under proper use of the goods. The liability does not cover defects which are caused by faulty maintenance or incorrect installation from the Buyers side. Finally the liability does not cover normal wear and tear or deterioration from corrosional and other attacks.

2. Liability for Damage to Property caused by the Goods (Product liability):

The Seller shall solely be liable for defects in accordance with mandatory provisions.

The Buyer shall indemnify and hold the Seller harmless to the extent that the Seller incurs liability towards any third party in respect of any damage for which the Seller is not liable towards the Buyer according to paragraph a. and b. below.

The Seller shall not be liable for loss or damage caused by the goods:

- a. To any (movable or immovable) property where the damage occurs while the goods are in the Buyer's possession
- b. To products manufactured by the Buyer or to products of which the Buyers products form a part or loss or damage to any property, where the damage is caused by these products because of properties in the goods.

The seller shall under no circumstances be liable for loss of production, loss of profit or any other consequential economic loss.

The above limitations in the Seller's liability shall not apply where the Seller has been guilty of gross negligence.

If a claim for loss or damage as described in this Clause is raised by a third party against either party, the latter shall forthwith notify the other party thereof.

The Seller and the Buyer shall be mutually obliged to let themselves be summoned to the court or arbitral tribunal which examines claims against either of them, where the claim is based on damage alleged to have been caused by the goods. The liability as between the Seller and the Buyer shall, however, always be settled by the arbitration in accordance with Clause 3.

3. Disputes. Applicable Law:

Each and every dispute between the parties shall not be brought before the court, but shall be finally settled by arbitration in accordance with the law on arbitration applicable in Denmark.

U.S. Patent No. 10,214,269

U.S. Patent No. 10,793,243

Flexofold ApS
Dianavej 4
7100 Vejle, Denmark
T: (+45) 7555 4346
E-mail: sales@flexofold.com



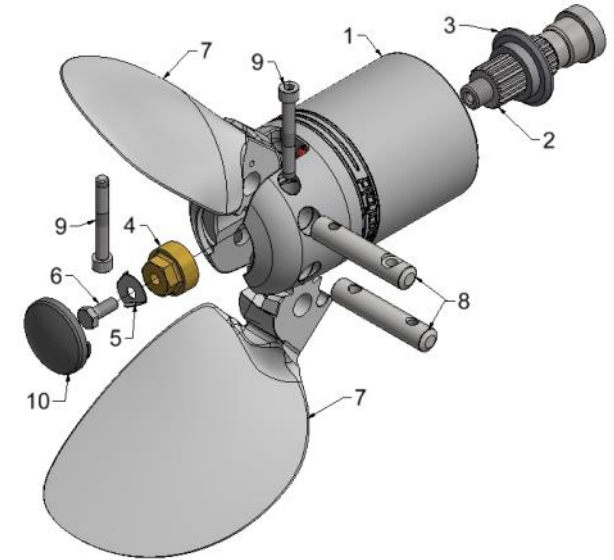
Installation and operating instructions for 2-blade composite saildrive propeller. Owner must read and follow these instructions.

NOTE: Failure to follow these instructions will void warranty.

COMPOSITE PROPELLER

Parts list:

1. Hub
2. Shaft (not supplied)
3. Spacer (not supplied)
4. Shaft nut
5. Tab washer
6. Shaft nut locking screw (M8x20mm)
7. Blade (2 ea.)
8. Pivot pin (2 ea.)
9. Anchor bolts (2 ea. M10x60mm)
10. Cover



Threadlocker:

There is an underwater proof threadlocker pre-applied on all screws in the installation. These screws can be installed out of or under the water.

Normal fluidic threadlocker is not designed to be applied or cure under water and attempts to apply it under water will ultimately fail. Nor can regular threadlocker be applied to the thread in air and allowed to cure before the screw is mounted under water. There will be no adhesion.

If removing the propeller underwater for any reason, do not reuse the screws when mounting again under the water. Please contact Flexofold for replacement screws that have the pre-applied threadlocker.

When reusing the screws out of the water, make sure to apply a medium strength version of threadlocker, for instance [Loctite® 243 Blue Medium Strength Threadlocker \(blue\)](#).

Never use threadlocker on the shaft nut (4). It will be difficult to dismount again.

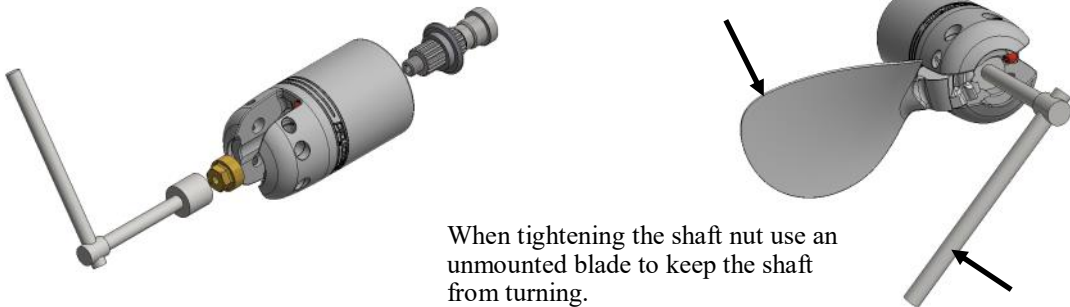
Operating and handling instructions:

- Shift gears at idling RPM's only.
- Check that the propeller functions in both forward and reverse before each voyage.
- When sailing, propeller must be stopped for the blades to fold. Stop engine and put transmission in reverse.
- Stop engine immediately if any strange sounds or vibrations are noticed coming from propeller.
- Do not operate propeller when close to people or animals.
- When handling assembled propeller, avoid being pinched by opening or closing blades.
- The only maintenance required is to keep propeller clean.
- No need to oil or grease, the parts are water lubricated as soon as in the water.

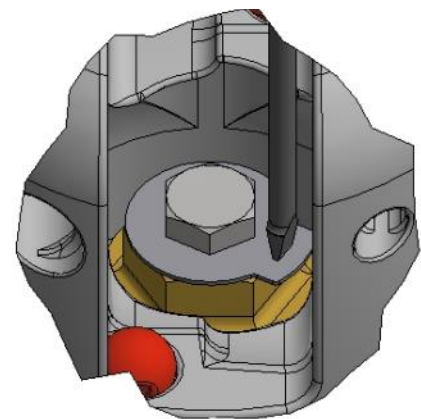
Installation of saildrive hub

1 Check to see that the spacer (3), which is supplied by the engine manufacturer, is installed. Propeller will not function properly without spacer; slide hub (1) gently over splines on shaft (2). Screw on the shaft nut (4) and tighten firmly. Identify your hub in the attached chart "**Tightening Torques for Nuts**" and find the correct torque for the shaft nut. The name of your hub is on the box it came in.

Don't use any threadlocker on the shaft nut (4).



When tightening the shaft nut use an unmounted blade to keep the shaft from turning.



2 Slide tab washer (5) onto the shaft nut locking screw (6). Attempt to position the tab relative to a flat side of the nut. Insert the screw (6) through the hole in the shaft nut.

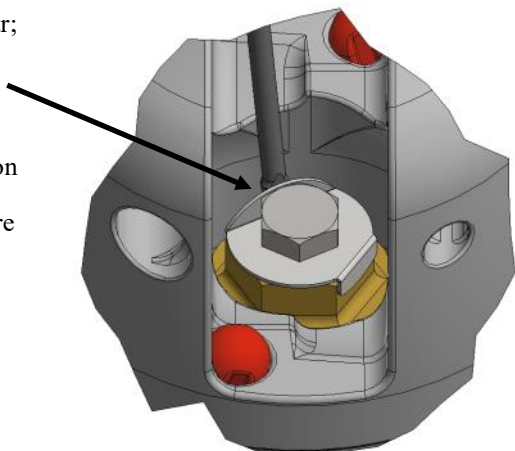
Tighten the screw firmly into the end of the shaft. If using a torque wrench tighten with 15 Nm; (1,5 kpm, 10.8 ft-lb.)

Use a straight screwdriver to bend the tab down over one of the flat sides of the shaft nut.

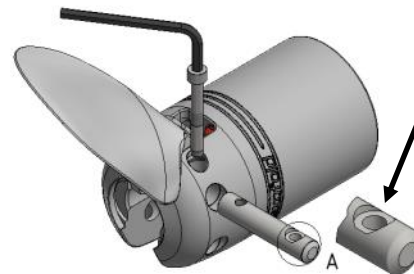
3 Again using a straight screwdriver or similar; bend the opposite side of the tab washer up over one of the flat sides of the shaft nut locking screw (6)

This along with the pre-applied threadlocker on the shaft nut locking screw will prevent the shaft nut from untightening, and thereby secure your propeller to the saildrive.

If removing your prop; straighten the side of the tab washer to allow removal of the shaft nut locking screw.



Installation of blades



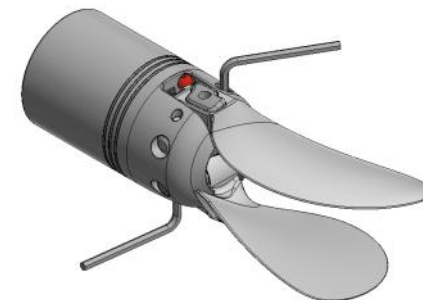
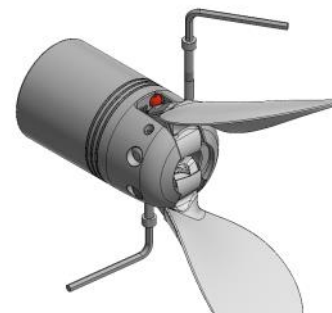
4 Align blade (7) with the blade socket in the hub and insert pivot pin (8) with the stepped hole in the shown position.

Move blade slightly to ease operation, and apply pressure on the pivot pin all the way in until the stepped hole is aligned with the hole for the anchor bolt.

Mount an anchor bolt (9) partly; do not push it all the way in yet; that will happen in the next step.

5 Insert the next blade (7), pivot pin (8) and anchor bolt (9). Engage thread as soon as both blades, pivot pins and anchor bolts are in place. Tighten lightly and check the opening and folding function. Final tightening will be done in step 6 with final adjustment in step 7.

6 Now tighten both anchor bolts lightly. The torque must be 5 Nm (0.5 kpm, 40 ft-lb.) The blades should now be too tight for the folding mechanism to work normally.



7 Release both anchor bolts approx. 1/8 turns counter clockwise (45 degrees). Check the function, i.e. work blades open and folded to ensure ease of operation. Release anchor bolts slightly more if the blades bind or become stuck, and please remember that both anchor bolts must be released equally.

8 Place the cover (10) as shown and click it into place. Finally, check the opening and folding function to ensure it still works.

